

NOTES:

- MATERIAL SPECIFICATION,
  - HOUSING:LCP UL94V-0 COLOR:BEIGE.
  - SIGNAL CONTACT:BRASS C2680;
  - GROUND CONTACT:PHOSPHOR-COPPER C5191;
- PLATING SPECIFICATION,
  - SIGNAL CONTACT:
    - 50u" MIN. Ni PLATING OVER ALL.
    - 4u"Au PLATED OVER MATING AREA
    - 1u"Au PLATED OVER SOLDER AREA.
  - GROUND CONTACT:
    - 50u" MIN. Ni PLATING OVER ALL.
    - 2u"Au PLATED OVER MATING AREA.
    - 1u"Au PLATED OVER SOLDER AREA.
- IR REFLOW:
 

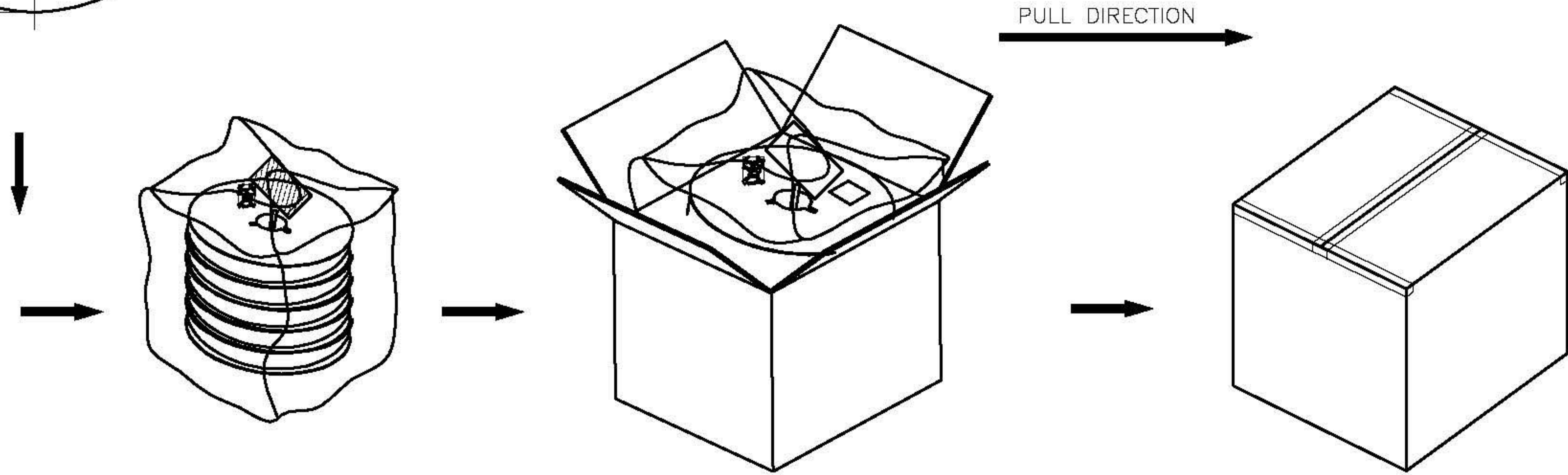
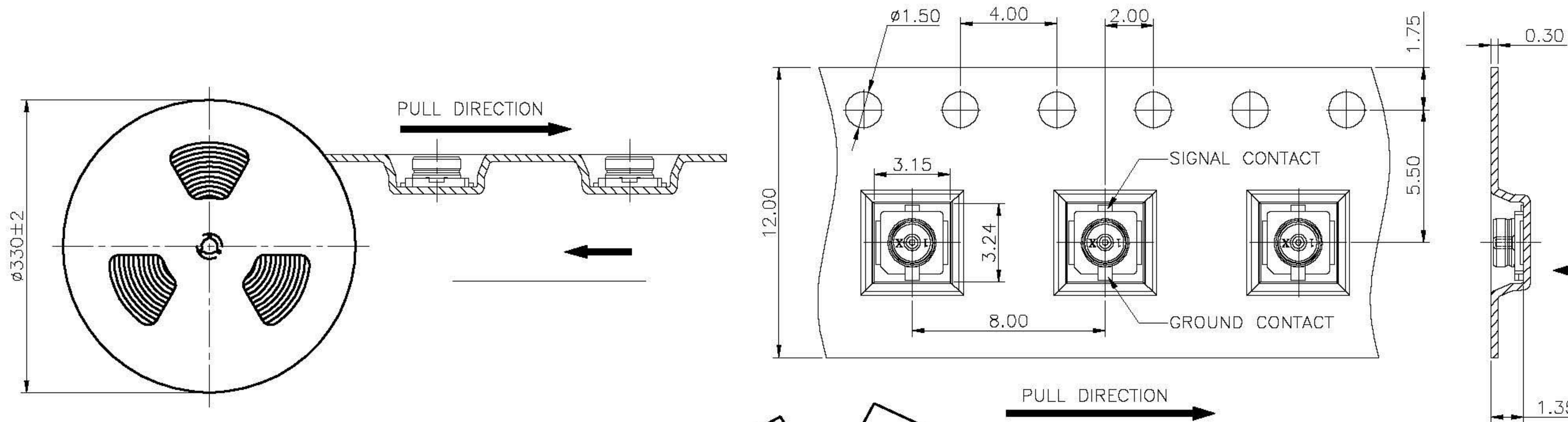
THE PEAK TEMPERATURE ON THE BOARD SHALL BE MAINTAINED FOR 10 SECONDS MAX AT 260°C.
- ELECTRICAL:
  - IMPEDANCE: 50 Ω (NOMINAL)
  - FREQUENCY RANGE:0~6GHz
  - RATED VOLTAGE: AC 60V.
  - LLCR: FOR SIGNAL AND GROUND CONTACT: INITIAL:20mΩ MAX AFTER TESTING:20mΩ MAX.
  - INSULATION RESISTANCE: MATED:100V DC INITIAL:500MΩ MIN. AFTER TESTING:100MΩ MIN.
  - DIELECTRIC WITHSTAND VOLTAGE: MATED:APPLY 200V RMS, FOR 1 MINUTE NO BREAKDOWN.
- MECHANICAL:
  - DURABILITY:30 CYCLES.
  - CONNECTOR UNMATING FORCE: INITIAL:4N MIN. AFTER DURABILITY 30 CYCLES:2N MIN.
- OPERATING TEMPERATURE
 

OPERATING TEMPERATURE:-40°C~+90°C

THESE DRAWINGS AND SPECIFICATIONS ARE THE PROPERTY OF SINOPOW COMMUNICATION TECHNOLOGY LIMITED AND SHALL NOT BE REPRODUCED, COPIED OR USED IN ANY MANNER WITHOUT THE PRIOR WRITTEN CONSENT OF SINOPOW COMMUNICATION TECHNOLOGY GROUP.		NAME(INTENDED USE) RF I BOARD CONN.		<b>BonWorld 佳沃</b>	
MAT'L SEE NOTES		PART NO.(INTENDED USE) 19.002A7-0001R0		TITLE: Customer Drawing	
UNITS mm		APPD: Weishuo.Qiu		DWG NO.: BW-1608-002	
FINISH SEE NOTES		CHKD: Kn Ning		SCALE SHEET REV. 8:1 1/2 A	
		DR: Jacky.Li			

CAD GENERATED DRAWING, DON'T CHANGE BY HAND

REV.	ECN. NO.	APPD.
A	JW-1608-002	WS.Qiu



GENERAL TOLERANCES

PACKING: TAPE&REEL, 5000 PCS/REEL ( $\phi 330$ mm), 10REEL/CARTON(50000PCS/CARTON).

<small>THESE DRAWINGS AND SPECIFICATIONS ARE THE PROPERTY OF SINOPOW COMMUNICATION TECHNOLOGY LIMITED AND SHALL NOT BE REPRODUCED, COPIED OR USED IN ANY MANNER WITHOUT THE PRIOR WRITTEN CONSENT OF SINOPOW COMMUNICATION TECHNOLOGY GROUP.</small>			<b>NAME(INTENDED USE)</b> RF I BOARD CONN.	<b>BonWorld 佳沃</b>						
X. $\pm$ / X $\pm$ 0.15 .XX $\pm$ 0.10 .XXX $\pm$ /	X. $\pm$ / X' $\pm$ / .XX' $\pm$ / .XXX' $\pm$ /	<b>MAT'L</b> SEE NOTES  <b>UNITS</b> mm  <b>FINISH</b> SEE NOTES	<b>PART NO.(INTENDED USE)</b> 19.002A7-0001R0  <b>APPD:</b> Weihuo.Qiu  <b>CHKD:</b> Kn Ning  <b>DR:</b> Jacky.Li		<b>TITLE:</b> Customer Drawing  <b>DWG NO.:</b> BW-1608-002					
			DR: Jacky.Li	<table border="1"> <tr> <th>SCALE</th> <th>SHEET</th> <th>REV.</th> </tr> <tr> <td>8:1</td> <td>1/2</td> <td>A</td> </tr> </table>	SCALE	SHEET	REV.	8:1	1/2	A
SCALE	SHEET	REV.								
8:1	1/2	A								